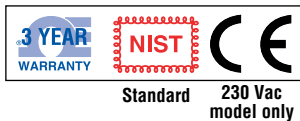


# Mini hot point® Dry Block Probe Calibrator

## CL1000 Series



- ✓ Built-in Digital  $\frac{1}{32}$  DIN Temperature Controller
- ✓ Rugged Miniature Handheld, Benchtop and Portable Design
- ✓ Fast, Accurate, Stable Readings
- ✓ Fast Heat-Up/Cool-Down Time
- ✓ Standard and Metric Well Designs Available
- ✓ Automatic Fan Cooling
- ✓ 230 Vac Models CE Marked
- ✓ NIST Calibration Certificate with 2 Data Points Included
- ✓ Soft Carrying Case, Power Cord and Operator's Manual Included
- ✓ Optional RS232 Communications with Free CN9-SW Communications Software and Cable



CL1000A, shown with TTSS-HH probe, sold separately.

OMEGA's CL1000 Series mini hot point® dry block probe calibrator offers a fast, accurate, stable solution for calibrating temperature probes in both the laboratory and in the field by providing a lightweight, rugged miniature design. There are 4 different probe well styles available (shown on next page). The CL1000 Series has been engineered into a custom fabricated metal enclosure together with a high performance

$\frac{1}{32}$  DIN controller, and has been designed to meet a high level of quality, reliability and safety. Each 230 Vac unit carries the CE mark and has achieved performance results high above the required levels. The calibrator has a temperature calibration range of ambient 10 to 260°C (ambient 20 to 500°F) and can operate in an environment of 0 to 50°C (32 to 122°F) and a relative humidity of 0 to 90% non-condensing.

**Caution:** To avoid fire hazard or damage to your calibrator, always allow your calibrator to cool down to ambient temperature before returning to storage.

We make running changes when technical advances allow. Check at time of ordering for additional features.

### Specifications

#### Temperature Range:

Ambient 11 to 260°C  
(ambient 20 to 500°F)

**Accuracy:**  $\pm 1.5^{\circ}\text{C}$  ( $\pm 2.75^{\circ}\text{F}$ )

**Display Resolution:** 0.1°

**Stability:**  $\pm 0.15^{\circ}\text{C}$  ( $\pm 0.3^{\circ}\text{F}$ )

**Probe Well Uniformity [within 2.5 cm (1") from Bottom of Well]:**  $\pm 0.15^{\circ}\text{C}$  ( $\pm 0.3^{\circ}\text{F}$ )



CL1000 mini hot point<sup>®</sup> shown calibrating a thermocouple probe, Model KTSS-HH, with the HH64A handheld thermometer.

The -C2 option allows for remote configuring, adjustment, and reading. Free software is included with these models.

**Heat-Up Time:** 38 to 260°C (100 to 500°F) in 15 minutes  
**Cool-Down Time:** 260 to 38°C (500 to 100°F) in 70 minutes  
**Ambient Environmental Conditions**  
**Temperature:** 0 to 50°C (32 to 122°F)  
**Humidity:** 0 to 80% RH non-condensing  
**Internal Control Sensor:** Platinum RTD, 100 Ω, 0.00385, Class A  
**Power Requirements:**  
**CL1000(\*):** 3.15 A @ 115 Vac ~ (±10%) 50/60 Hz, 275 W  
**CL1000(\*)-230V:** 1.6 A @ 230 Vac ~ (±10%) 50/60 Hz, 275 W  
**Dimensions:** 127 W x 56 H x 155 mm D (5 x 2.2 x 6.1")  
**Weight:** 1.7 kg (3.8 lb)  
**Approvals:** CE (230 Vac models only)  
**Note:** For additional controller specifications, and details on the free CN9-SW software included with RS232 models, see CN9500 Series controllers.



OMEGACARE<sup>SM</sup> extended warranty program is available for models shown on this page. Ask your sales representative for full details when placing an order. OMEGACARE<sup>SM</sup> covers parts, labor and equivalent loaners.

To Order	
Model No.	Description
CL1000(*)	Mini hot point dry block probe calibrator, 115 Vac
CL1000(*)-230V**	Mini hot point dry block probe calibrator, 230 Vac

\* Insert well style code "A", "B", "C" or "D" see diagrams to the right.  
 \*\* Note: Only 230 Vac models available as CE marked.

**Communications Option**

Suffix	Description
-C2	RS232 communications and free CN9-SW software, pre-wired, 1.8 m (6') cable included

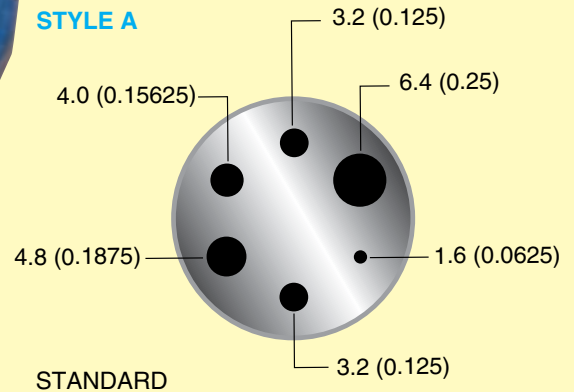
Comes complete with power cord 1.8 m (6'), soft carrying case, operator's manual, and NIST-traceable calibration certificate at 121 and 260°C (250 and 500°F) temperatures.

**Ordering Example:** CL1000C-C2, mini hot point dry block calibrator with well style C and RS232 option. OCW-2, OMEGACARE<sup>SM</sup> extends standard 3-year warranty to a total of 5 years.

Custom Well Styles Available. Contact OMEGA's Custom Engineering Department for Price and Delivery.

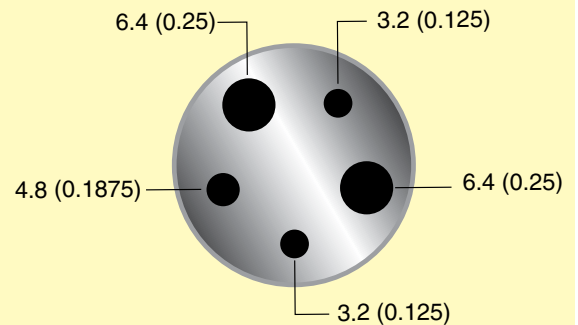
Available Well Styles\* Dimensions: mm (inch)

STYLE A



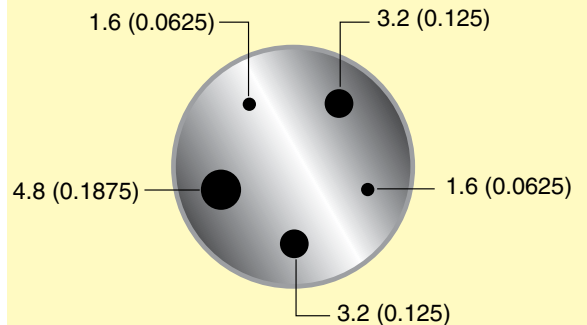
STANDARD

STYLE B



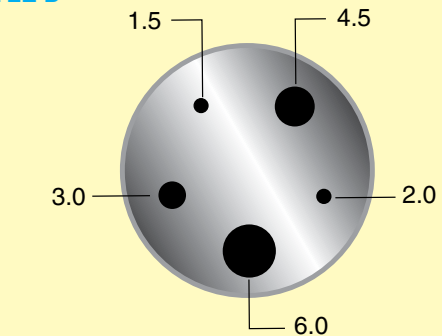
STANDARD

STYLE C



STANDARD

STYLE D



METRIC